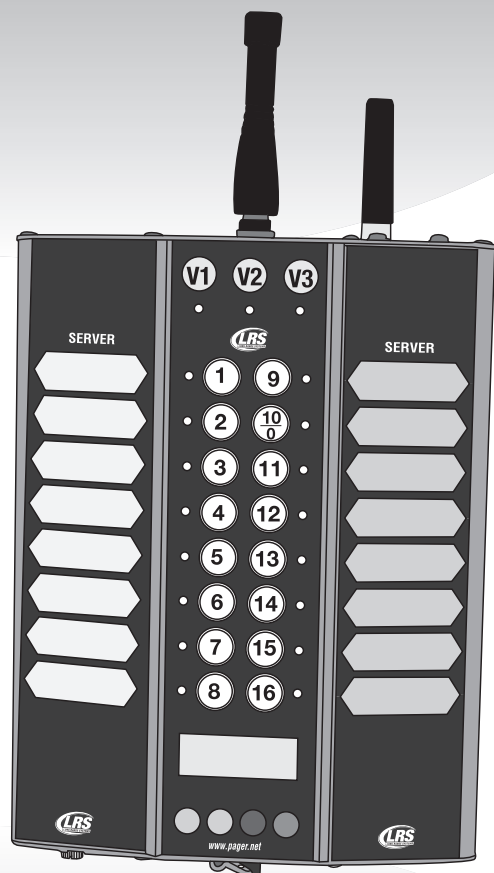
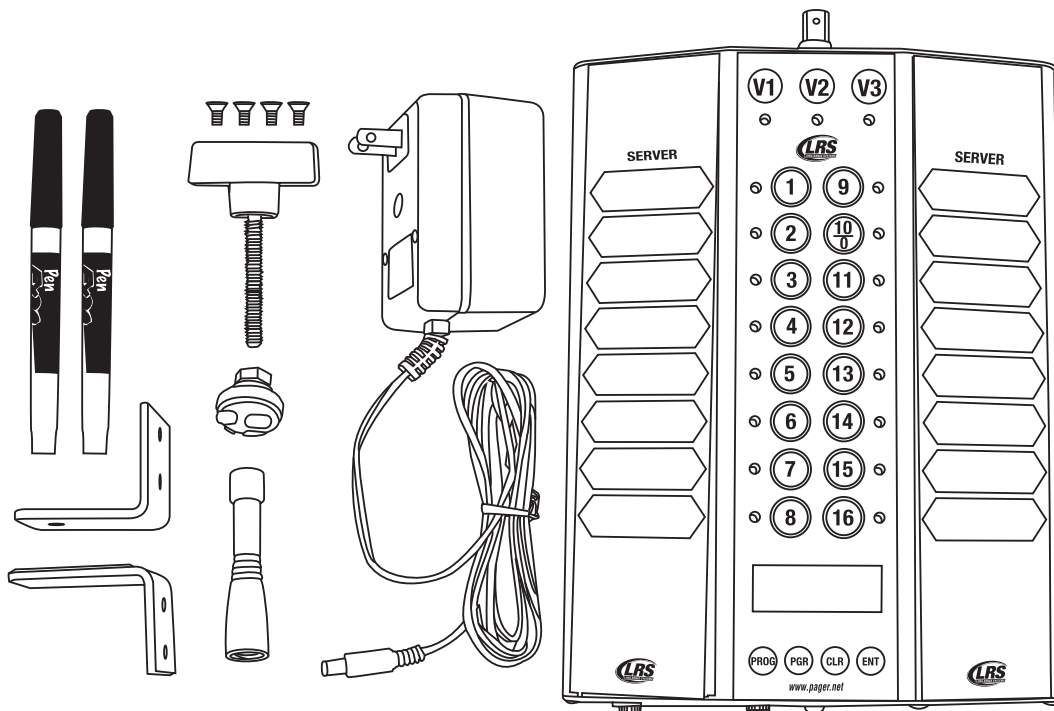


Setup Guide T9601

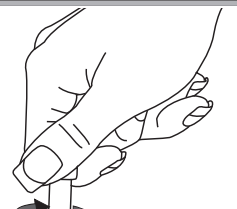


800.437.4996 • 214.553.5308
www.pager.net

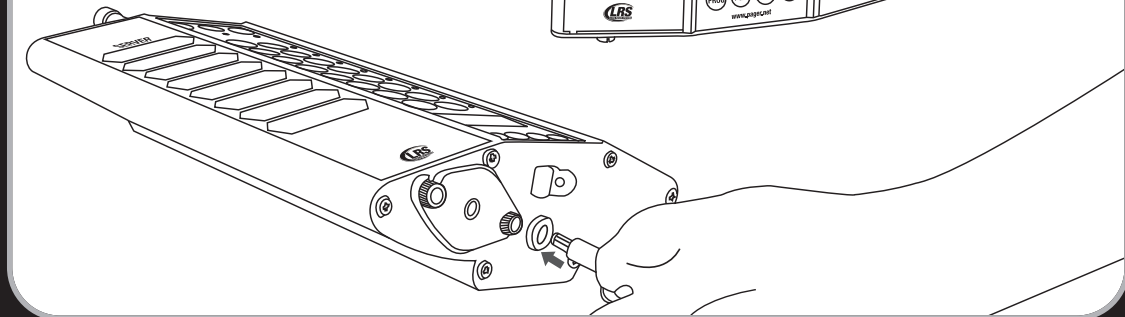
Items Included



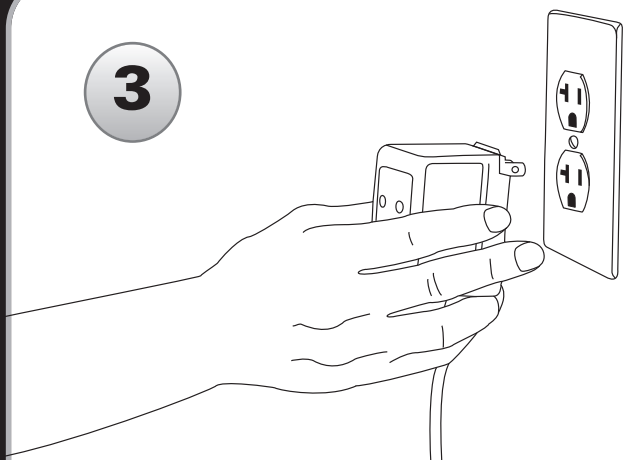
1



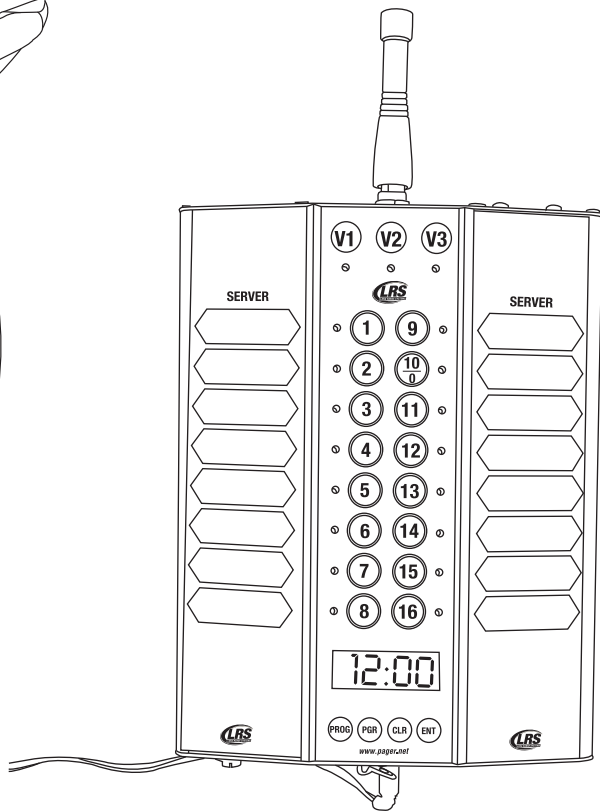
2



3

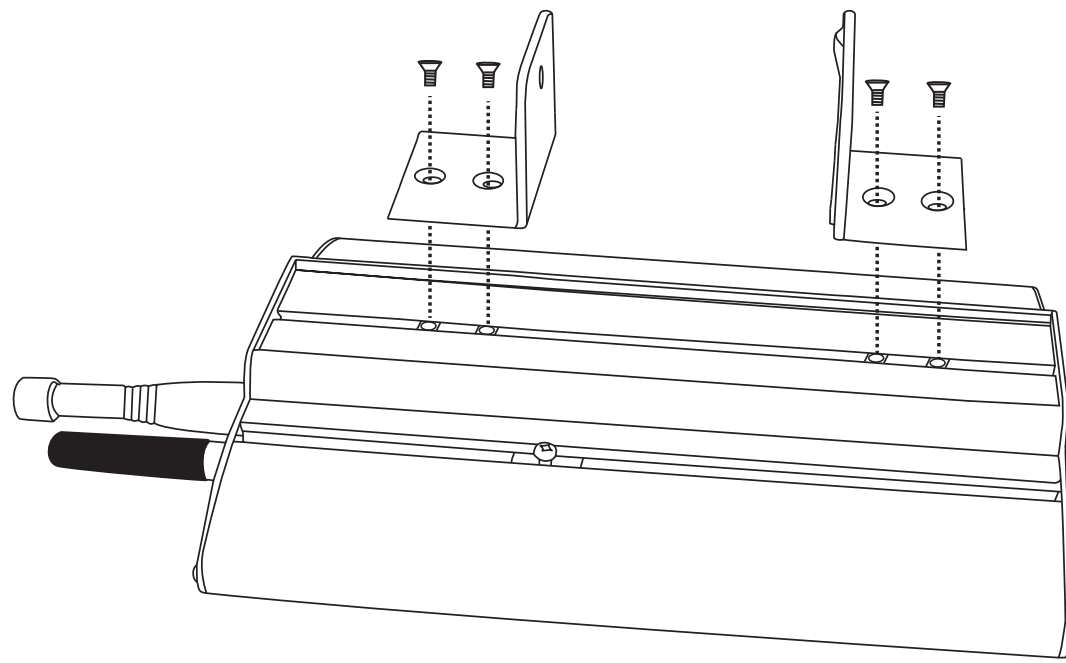


4

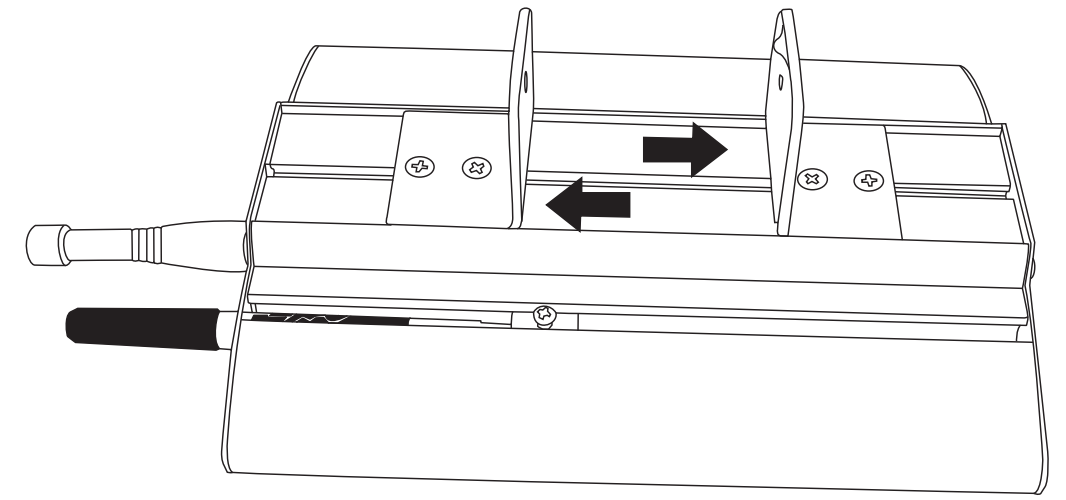


MOUNTING:

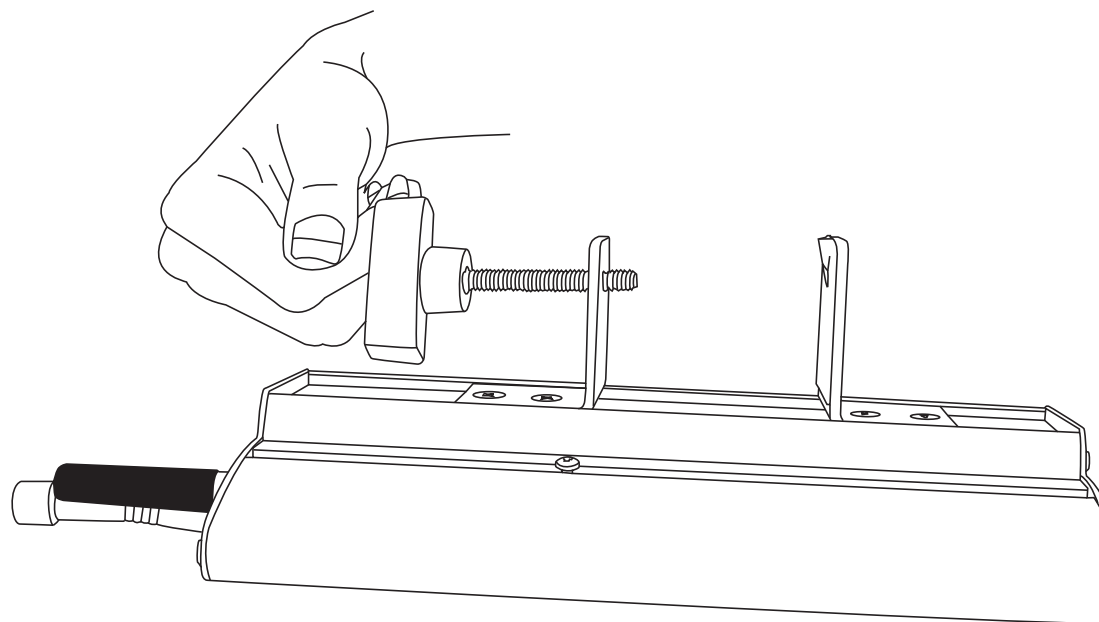
1



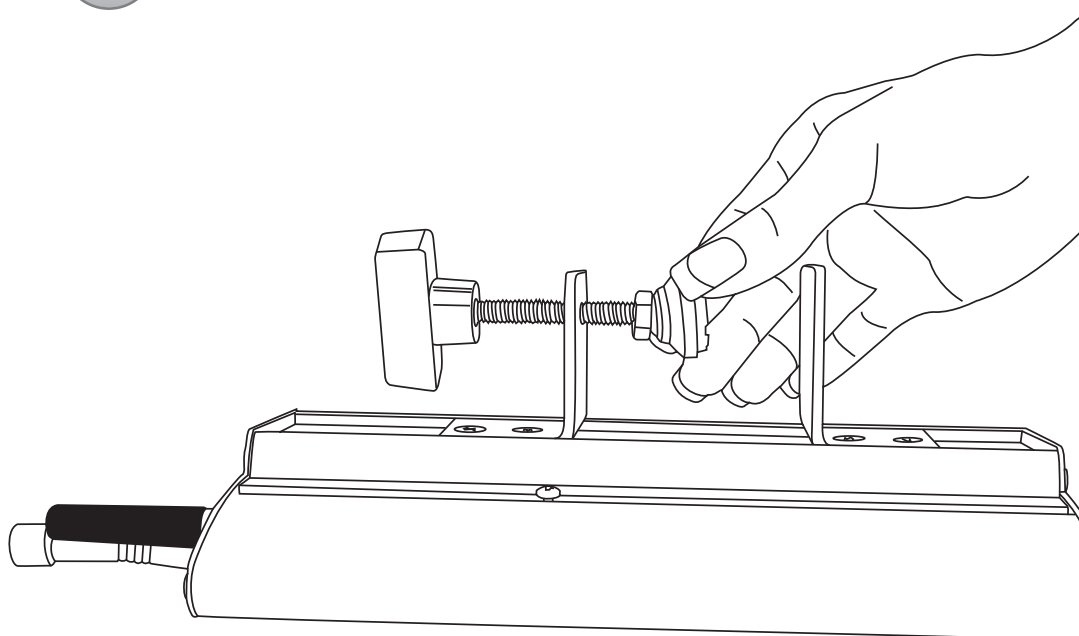
2



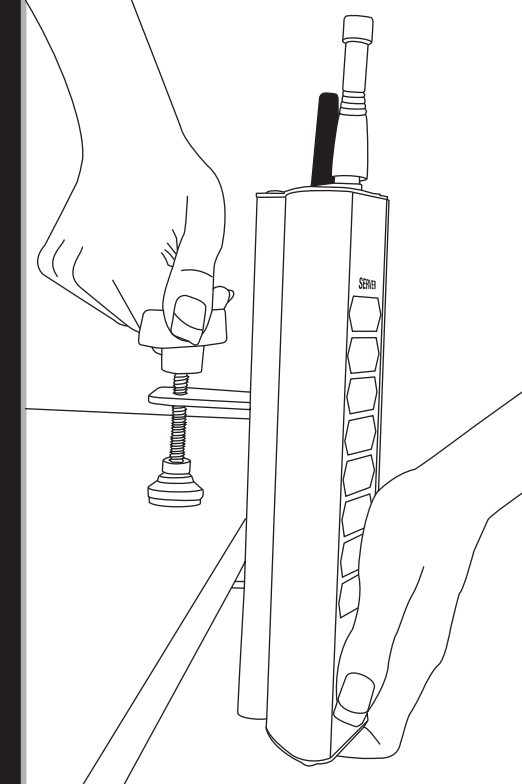
3



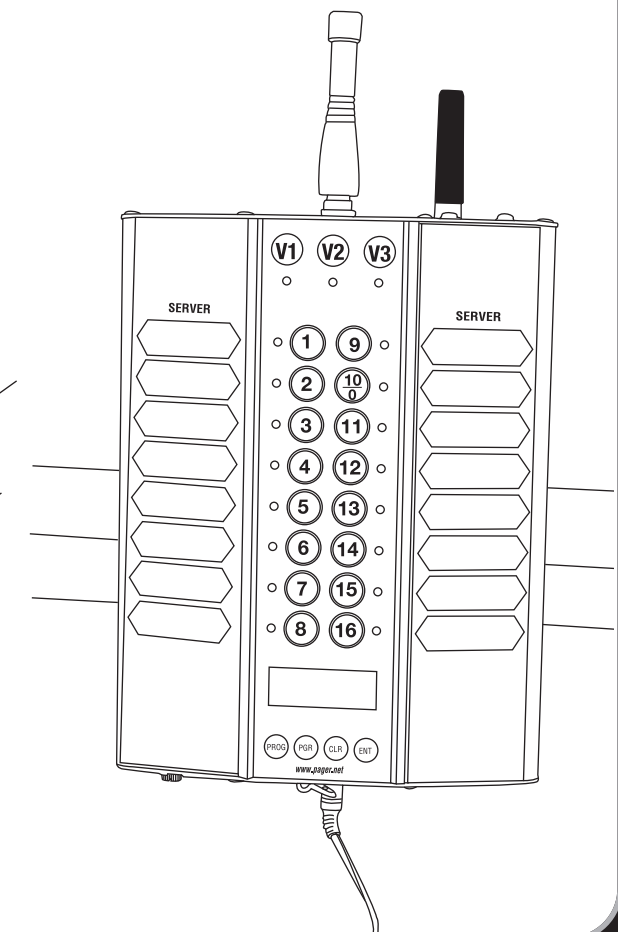
4



5



6



BASIC PAGING OPERATIONS

Note: The T9601 factory defaults are the most commonly used settings (Restaurant ID = 0, Vibration Mode = 1)

When a pager is removed from the charger, it will vibrate three times to indicate that the pager is ready for use.

Paging:

For pagers numbered 1 – 16:

1. Press the pager number
2. The unit will automatically send a page

For pagers numbered 17 and higher:

Note: Pagers can be numbered up to 999

1. Press PGR
2. Enter the pager number (using 1 – 9 and 10 [as zero])
3. Press ENT

All Page:

If all staff pagers need to be called at once:

1. Press PGR
2. Press 0
3. Press ENT

SYSTEM SETTINGS

Setting the Vibration Mode

Vibration mode determines the number of times a pager will vibrate when paged.

To set the vibration mode:

- 1 vibration: Press PROG
Enter 9 - 2 - 1 and press ENTER
- 2 vibrations: Press PROG
Enter 9 - 2 - 2 and press ENTER
- 3 vibrations: Press PROG
Enter 9 - 2 - 3 and press ENTER

Set Restaurant ID

The Restaurant ID factory default setting is 0. Your system may or may not be shipped with the factory default setting ID = 0. Contact LRS to verify your Restaurant ID before changing it.

To change the ID:

1. Press PROG
2. Enter 9 - # - # (EX: 9 – 0 – 3, Restaurant ID = 3) (# = System ID: 01 – 19)
3. Press ENT

Set Station ID

A station ID can be set for each T9601 transmitter unit in use.

To set:

1. Press PROG
2. Enter 9 - 6 - # (X = the station ID 1 – 9)
3. Press ENT

Set Time and Date

Set Time:

1. Press PROG - 9 - 3 - 2 - ENT
2. At the tin (time) prompt, enter the hh (hour) and the mm (minute)
3. Press ENT
4. Press PGR for A (AM) or ENT for P (PM)

Set Date:

1. Press PROG - 9 - 3 - 3 - ENT
2. At the (month) prompt, enter the mm (month), press ENT
3. At the (day) prompt, enter the dd (day), press ENT
4. At the (year) prompt, enter the yy (year), press ENT

MAINTENANCE FUNCTIONS

Range Test

Perform a range test to determine the effective range of the T9601.

Note: Be sure to remove pagers from charging base before performing the range test

1. Press PROG - 9 - 9 - 7 - ENT
2. The screen will display “tst” and then a “-” (dash) will appear
3. When the “-” (dash) begins scrolling across the screen, pagers will vibrate every 5 seconds (as long as they are receiving the signal)
4. Take a pager and walk around the area to verify the pager operates in all areas (the pager will stop vibrating when it is out of range)
5. Press ENT To stop the range test

System Reset

Caution: When resetting the system, the following will be set to factory default:

- Restaurant ID = 0
- Vibration Mode = 1

To reset:

Press PROG - 0 - ENT

PAGER PROGRAMMING

If you would like to assign or reassign numbers to pagers, contact LRS to verify your restaurant ID before proceeding.

Note: Be sure the POCSAG start and restaurant ID are correct for the pagers in use.

To Program Pagers:

1. Pagers:
 - Remove rechargeable pagers from the charger (or touch to the reset terminals). The pager will vibrate and then stop.
 - Turn battery powered pagers on and then off (or remove and reinstall the battery). The pager will vibrate and/or beep and then stop.
2. Press PROG - # - PROG (# is the pager number (1 - 999)
 - Star pagers will slowly vibrate and light up then dim to off.
 - Alpha pagers will beep 4 times and then stop.
3. Once programming is complete, page the pager to ensure it is programmed okay.

Assign Manager Pager:

1. Press PROG
2. Enter 9 - 8 - 5
3. Press ENT
4. At Ngr (manager), enter the pager number
5. Press ENT

WARRANTY

Long Range Systems, Inc. warrants this product against any defects that are due to faulty material or workmanship for a two-year period after the original date of consumer purchase. This warranty does not include damage to the product resulting from liquid, acts of god, accident, misuse or improper electrical connection. If this product should become defective within the warranty period, we will repair or replace it with an equivalent product, free of charge. LRS will return your product via UPS ground shipping. All warranty claims must be initiated through our customer service department.

Customer Service:

4550 Excel Parkway
Addison, TX 75001
800.437.4996 • 214.553.5308
www.pager.net

No return or replacement can be received without prior authorization and the proper RMA Number posted to the outside of the shipping container. To receive an RMA# call an LRS office:

U.S. Headquarters:
4550 Excel Pkwy Suite 200
Addison, TX 75001
214.553.5308

Australia:
Level 1 Unit 2 / 9-11 Myrtle St.
North Sydney NSW 2026 Australia
+61 (0)2 9955 5700

Brazil:
Av. Dr. Yojiro Takaoka, 4384
7o andar, Sala 704, Alphaville
CEP 06541-038, Brasil
(11) 4152 8416

Canada
3184 Ridgeway Drive Unit 42
Mississauga, Ontario,
Canada L5L 4X4
(877) 607-7243

Columbia:
c/lll 69 # 11a-53, Bogota
(1) 7592452
Cape Town, Western Cape 8001
+27 21 422 4975

Europe:
Steinriedendamm 15-16
Gebauede 2C
38108 Braunschweig, Germany
+49 531 310542 0

India:
310, Damji Shamji Indl Complex
9,L.B.S. Marg, Kurla (w),
Mumbai -400 070
+91-22-66299999

Middle East
Azariah Center Bloc 02B, Suite 431
Gillas Street
Downtown Beirut, Lebanon
+9613 81 82 84

Saudi Arabia:
Khobar
Eastern Province
Kingdom of Saudi Arabia
+966 565 120 173

Singapore
3 Science Park Drive
#02-11 The Franklin
Singapore Science Park I
Singapore 118223
(65) 67799200

South Africa:
58 Loop Street, 2nd Floor
Hycastle House, City Centre
Cape Town, Western Cape 8001
+27 21 422 4975

This warranty gives you specific legal rights and you may also have rights that vary from state to state.

Copyright © June 2010, Long Range Systems, Inc. All Rights Reserved

This manual contains proprietary information of Long Range Systems, Inc. (LRS) and is intended for use only by its employees or customers. None of the material contained herein may be copied, reproduced, republished, downloaded, displayed, posted, or transmitted in any form or by any means, including but not limited to, electronic, mechanical, photocopying, recording, or otherwise without the prior written permission of LRS. Additional copies of this manual may be obtained by contacting LRS.

Screen displays, keyboard layouts, hardware descriptions, or software are proprietary to LRS and are subject to copyright and other intellectual property rights of LRS and shall be treated in accordance with the previous paragraph.

All attempts have been made to make the information in this document complete and accurate. LRS is not responsible for any direct or indirect damages or loss of business resulting from inaccuracies or omissions. Specifications and other information contained within this document are subject to change without notice.